

Congratulations! You are the owner of the finest tanning equipment on the market. Be assured that the Aruba by **puretan** is manufactured with care using the best materials, components and craftsmanship possible.

In order to receive maximum benefit from your Aruba sun system please read and understand this manual thoroughly.

The sun

The sun is the source of all energy on earth. It provides us with light which enables us to see and make plants grow. It emits infrared rays which we experience as warmth. A third form of solar energy is less noticeable, but equally important for our well being; ultraviolet radiation. This electromagnetic radiation is divided into three bands:

long wave (uv-a)	400-321 nm
medium wave (uv-b)	320-261 nm
short wave (uv-c)	260-180 nm

Radiation in the short wave band provides a strong germicidal effect and lamps emitting uv-c are used for air and liquid disinfection. Although the sun emits uv-c it is filtered out by the earth's ozone layer and therefore does not reach the earth. You will find no uv-c radiation emitted by your Aruba sun system. **puretan** tanning products use only ultraviolet radiation from the uv-b and uv-a regions for the cosmetic tanning process.

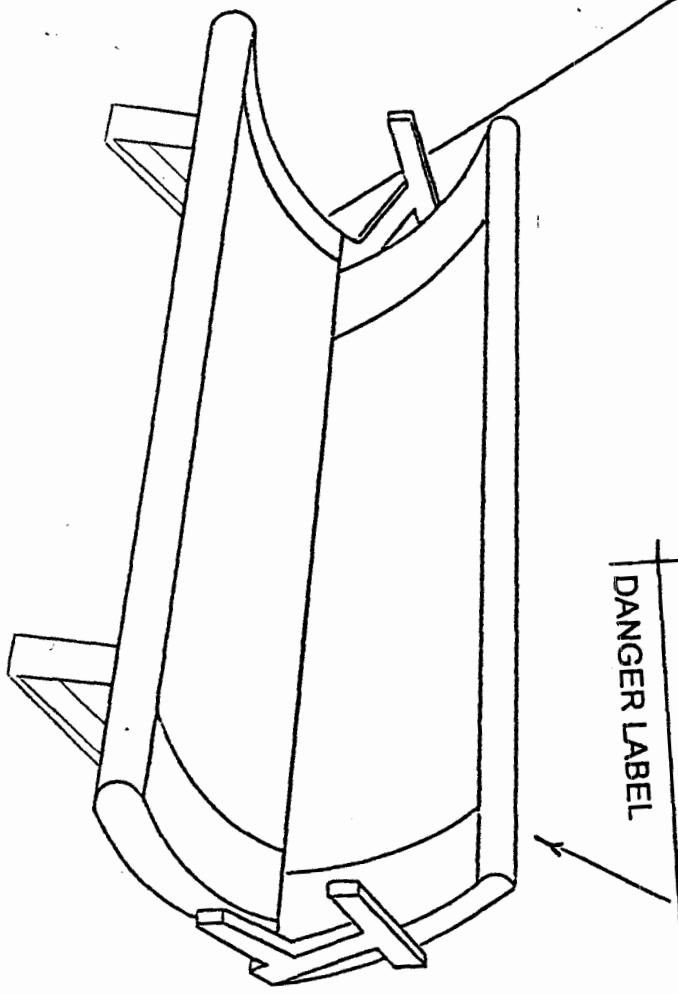
The process of tanning

The immediate tanning that occurs with exposure to ultraviolet radiation of wavelengths longer than 300 nm and extending into the visible blue region is the darkening of existing melanin. This melanin, is formed in the skin under the influence of uv-b. This melanin moves through the cells at the surface of the skin, and there changes into pigment. The tan produced in this way is called "indirect tanning". Tanning under uv-b starts slowly, but the overall time to get a deep tan is shorter than with uv-a. With uv-b the skin goes through a stage of reddening called "sunburn" or erythema. Uv-a causes direct tanning. Direct tanning starts immediately but takes longer to obtain an attractive tan. The lamps in your Aruba use a combination of uv-b and uv-a in the exact proportions, based upon recommended exposure time, to give your skin the attractive, bronze tone you desire in a short period of time.

TABLE OF CONTENTS

	Page
Introduction.....	1
Exposure Time and Schedules.....	2
Cleaning and Repairs.....	3
Assembly and Operation...Roller Arm Model.....	4RA
Assembly and Operation...Gaspiston Model.....	4GP
Maintenance.....	7
Installing Remote Control.....	8
Trouble Shooting.....	9

CERTIFICATION LABEL
IDENTIFICATION LABEL



EXPOSURE LABEL
DANGER LABEL

ARUBA

MANUFACTURER:

ASTERISK, INC.
14848 VENTURE DR.
DALLAS, TX 75234

CURRENT: AMP WATT

AC VOLTAGE: HERTZ:

SERIAL NO:

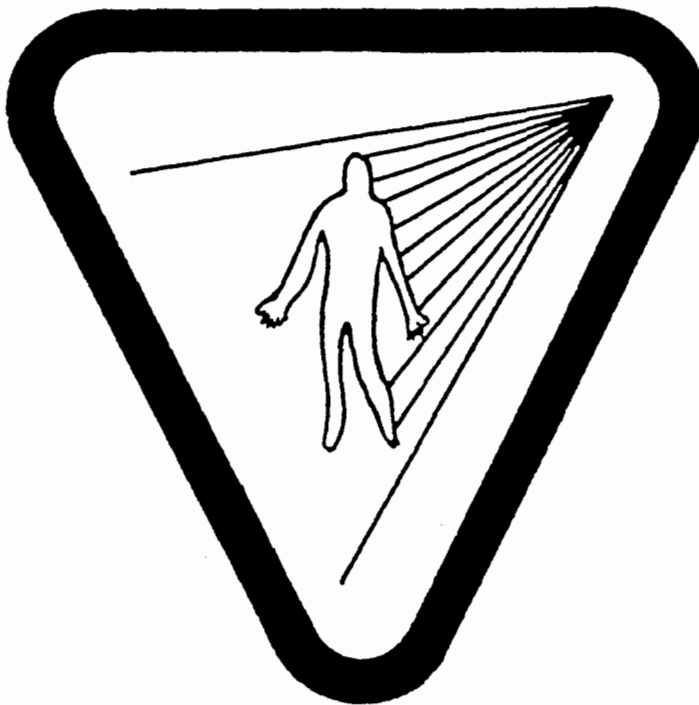
MANUFACTURED:

MODEL:

QC

UVA SOURCE:

CAUTION: DISCONNECT POWER CORD FROM SUPPLY CIRCUIT
PRIOR TO SERVICING UNIT.



This product is in conformity with performance standards for sunlamp products under 21 CFR part 1040.

Use **ONLY** in a fixture equipped with a timer.

SUNLAMP-DANGER-Ultraviolet Radiation

Follow Instructions.

DANGER

Ultraviolet radiation. Follow instructions. Avoid overexposure. As with natural sunlight, over exposure can cause eye and skin injury and allergic reactions. Repeated exposure may cause premature aging of the skin and skin cancer.

WEAR PROTECTIVE EYEWEAR: FAILURE TO MAY RESULT IN SEVERE BURNS OR LONG-TERM INJURY TO THE EYES.

Medications or cosmetics may increase your sensitivity to the ultraviolet radiation. Consult physician before using sunlamp if you are using medications or have a history of skin problems or believe yourself especially sensitive to sunlight. If you do not tan in the sun you are unlikely to tan from the use of this product.

SKIN TYPE:

- I SENSITIVE** - Burns easily and severely and does not tan. (NOT RECOMMENDED FOR TANNING)
- II LIGHT** - Burns easily and tans minimally. (3 min. max 1st 3 sessions / see schedule at right)
- III NORMAL** - Burns moderately and tans gradually. (3 min. max 1st 3 sessions / do not exceed 20 min. max)
- IV DARK** - Burns minimally, tans easily and above average. (3 min. max 1st 3 sessions / do not exceed 20 min. max)

WARNING: Maximum recommended exposure time is 20 minutes.

Use protective eyewear type Intrexco Gironde 12, 3831 AB LEUSDEN, The Netherlands, Cat. No. 56537s color green, whenever the product is energized.

Minimum use distance:
Sunroof 0.038 mtr (1.5')

The recommended exposure position is lying on the contoured acrylic surface of the sunbed, and under the acrylic surface of the sunroof in the closed position.

WARNING: Use of other positions as well as exposure at less than minimum use distance may result in overexposure and is therefore not recommended.

EXPOSURE TIME AND FREQUENCY FOR TYPE II SKIN

WEEK	1	1	2	2	3	3	4	4
SESSIONS	1	2	3	1	2	3	1	2
MINUTES PER DAY	3	3	5	5	7	7	10	10

- Read instruction booklet before using this product.
 - A spacing of 24 hours between exposures is recommended.
 - It may take 1 to 4 exposures before the expected results appear.
 - Schedule for maintenance of tan 20 minutes max twice per week.
- Ultraviolet lamps to be **Puretan S+/Spectralanium R+** used in this product: **Wolff Bellanium S***
- WARNING:** Before servicing this equipment first remove the power supply cord.

This product is in conformity with performance standards for sunlamp products under 21 CFR part 1040.

Use **ONLY** in a fixture equipped with a timer.

SUNLAMP-DANGER -Ultraviolet Radiation

DANGER

Ultraviolet radiation. Follow instructions. Avoid overexposure. As with natural sunlight, over exposure can cause eye and skin injury and allergic reactions. Repeated exposure may cause premature aging of the skin and skin cancer.

WEAR PROTECTIVE EYEWEAR: FAILURE TO MAY RESULT IN SEVERE BURNS OR LONG-TERM INJURY TO THE EYES.

Follow instructions.

Medications or cosmetics may increase your sensitivity to the ultraviolet radiation. Consult physician before using sunlamp if you are using medications or have a history of skin problems or believe yourself especially sensitive to sunlight. If you do not tan in the sun you are unlikely to tan from the use of this product.

SKIN TYPE:

- I SENSITIVE** - Burns easily and severely and does not tan. (NOT RECOMMENDED FOR TANNING)
- II LIGHT** - Burns easily and tans minimally. (3 min. max 1st 3 sessions / see schedule at right)
- III NORMAL** - Burns moderately and tans gradually. (3 min. max 1st 3 sessions / do not exceed 10 min. max)
- IV DARK** - Burns minimally, tans easily and above average. (3 min. max 1st 3 sessions / do not exceed 10 min. max)

WARNING: Maximum recommended exposure time is 10 minutes.

Use protective eyewear type Intrexco Gironde 12, 3831 AB LEUSDEN, The Netherlands, Cat. No. 5653/1's color green, whenever the product is energized.

Minimum use distance:
Sunroof 0.038 mtr (1.5")

The recommended exposure position is lying on the contoured acrylic surface of the sunbed, and under the acrylic surface of the sunroof in the closed position.

WARNING: Use of other positions as well as exposure at less than minimum use distance may result in overexposure and is therefore not recommended.

EXPOSURE TIME AND FREQUENCY FOR TYPE II SKIN

WEEK	1	1	2	2	3	3	3	4	4
SESSIONS	1	2	3	1	2	3	1	2	3
MINUTES PER DAY	3	3	3	5	5	5	8	8	10

- Read instruction booklet before using this product.
- A spacing of 24 hours between exposures is recommended.
- It may take 1 to 4 exposures before the expected results appear.
- Schedule for maintenance of tan 10 minutes max twice per week.

Ultraviolet lamps to be used in this product: **Purelan SX-F73HO**

WARNING: Before servicing this equipment first remove the power supply cord.

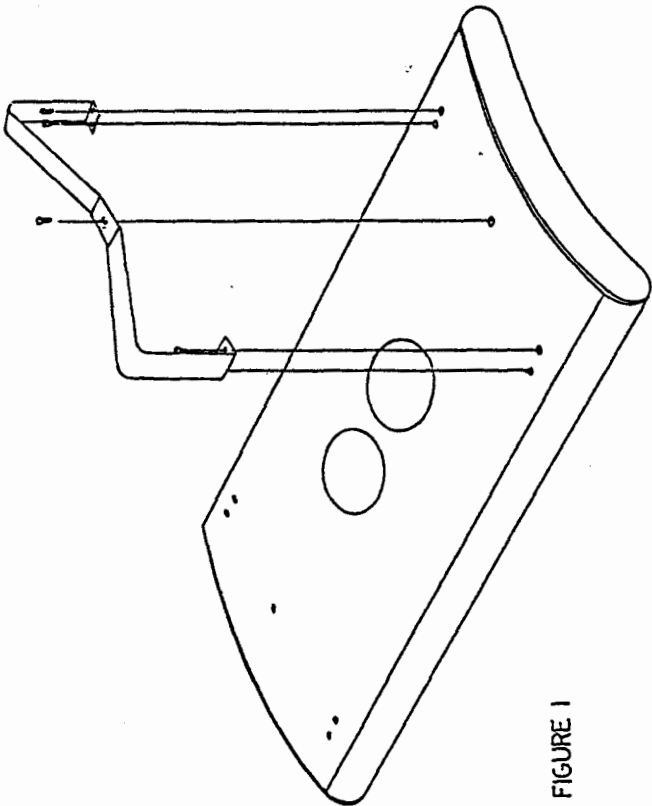


FIGURE 1

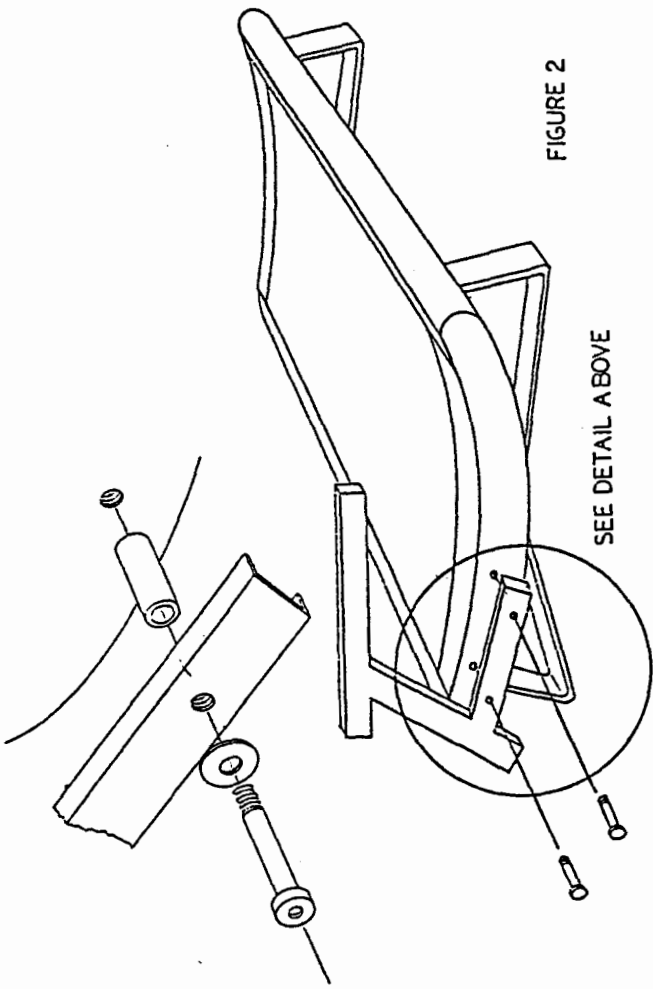


FIGURE 2

SEE DETAIL A ABOVE

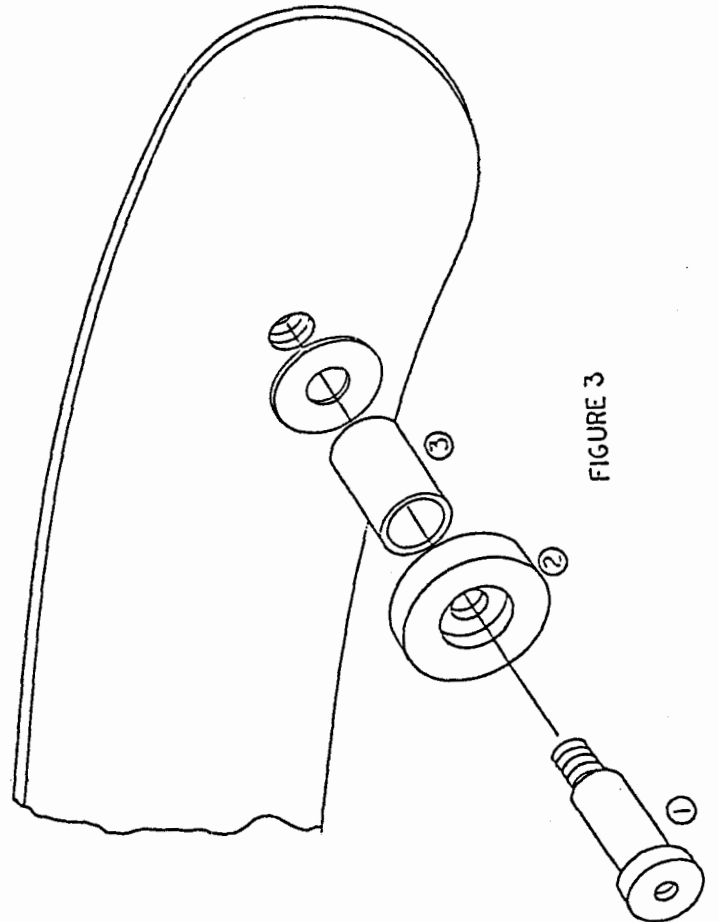


FIGURE 3

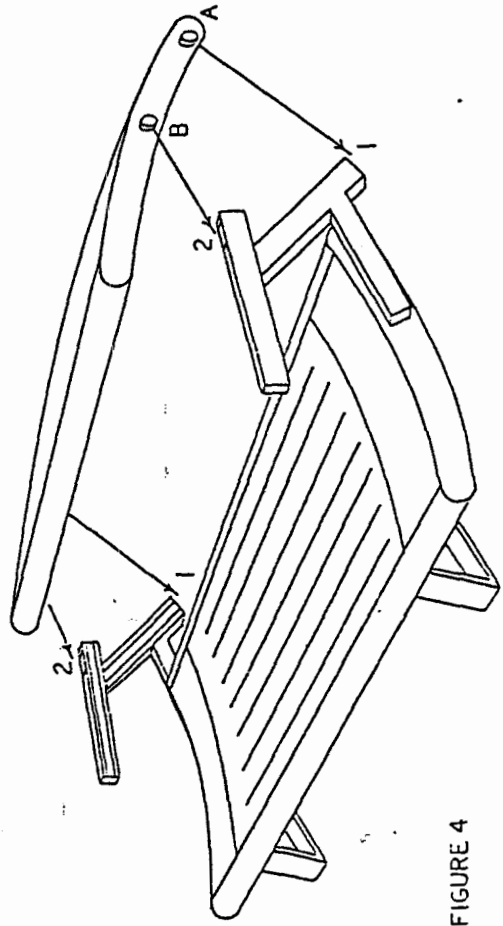


FIGURE 4

The power cord from the sunroof unit is to be connected to a dedicated single phase 20 amp wall receptacle. The acceptable voltage range is 218-236. Voltage output above or below this range will cause ineffective operation, and or damage to the sun system. Your Aruba sunsystem is now ready to test by turning the timer knob on the right side of the top cover clockwise.

CAUTION! It is important that when relocating the sun system, lifting or moving of the sunbed is necessary. Do not, under any circumstance, attempt to lift the system by the rollerarms.

*See instructions on page 8 for remote control installation.

5RA

Assembly - Aruba Roller Arm Model

Each **puretan** Aruba sun system is tested at the factory before packaging to ensure trouble free operation.

Remove the sunbed unit from the carton marked "sunbed", and lay it on carpet or similar surface (to prevent scratching) with the acrylic side down (see figure 1).

Locate the ten (10) 1/4" allen head screws in the carton marked "arm kit" and attach the legs as shown in figure 1. When the legs are securely fastened, turn the unit over so that the acrylic side is up and the unit is standing on its legs.

Attach the roller arms to the sunbed unit (grooved side toward the acrylic) with the four 3/8" x 2 3/4" allen cap bolts, black flat washers and spacers provided (see figure 2). Your Aruba sun system is a precision piece of equipment, and the tolerances are very close. Therefore, be certain that when tightening the bolts, you alternate two or three turns on each bolt position in order that the arm comes in contact with the end of the sunbed uniformly. Before installing the sunroof, make the following observations of the roller arms. Note that the groove which is approximately vertical to the floor on the rear of the arm is open at the bottom end. The groove which is horizontal at the top of the arm, is open at the top rear.

Carefully remove the sunroof from the carton marked "sunroof" and lay it on carpet or similar surface with the acrylic side down. Locate the four rollers, spacers and axle bolts in the carton marked "arm kit" (see figure 3). Push the roller (2) onto the axle bolt (1) so that the head of the bolt fits into the recess in the roller. Slide the metal spacer (3) onto the bolt **followed by a 3/8" flat washer** until only the threads are exposed. Locate the two 3/8" threaded holes on each end of the sunroof (one is toward the rear, and the other is in the lower center) and screw the axle bolts into the sunroof end plates. Be sure to insert the bolts carefully to guard against "cross threading", and tighten with the 1/4" allen wrench provided.

The following exercise will require two people. Hold the sunroof in a vertical position, (see figure 4) and simultaneously insert the rear rollers (A) into the rear angled groove (1) through the opening at the bottom of the arm. Still holding the sunroof, lift upward evenly (rear rollers will be rolling upward in rear groove) until center rollers are higher than the top of the roller arm. Tilt unit forward, and simultaneously insert center rollers (B) in horizontal groove through the opening (2) in the top of the arm, and pull sunroof forward, as closing it. The sunroof should now roll in the grooves, and easily open and close.

Connect the "umbilical cord" from the sunroof unit by inserting the female cord end connector into the male receptacle on the sunbed unit.

Exposure times for lamp type: puretan SX-F73 HO

WEEK	1	1	1	2	2	2	3	3	3	4	4	4
SESSIONS	1	2	3	1	2	3	1	2	3	1	2	3
MIN. PER DAY	3	3	5	5	5	8	8	8	10	10	10	10

A spacing of 24 hours between sessions is recommended. It may take between 1 to 4 exposures before the expected results appear.

Cleaning the sunbed and sunroof

After each session is completed, spray the acrylic surface with puretan disinfectant anti-fungal cleanser made specially for tanning products. Do not use conventional cleaners containing alcohol, ammonia or astringents. Do not wipe acrylic surfaces with a dry cloth as the static charge formed will attract dust.

Caution

Always disconnect electricity before cleaning internally. Do not use excessive amounts of water, abrasive cleaners, or cleaners with warning labels regarding reactions to contact with the skin. Do not use products containing alcohol, ammonia or astringents.

Repairs and recommended replacement parts

puretan International Inc., or your puretan distributor is capable of providing prompt and up to the minute service recommendations should your equipment require exceptional maintenance.

Recommended parts replacements

It is recommended that parts such as timers, protective eyewear and lamps be replaced with factory supplied parts obtainable through puretan International Inc., 14848 Venture Dr., Dallas, Texas, 75234 (1-800-338-8267) or your puretan distributor or dealer. Only factory approved parts when installed as instructed insure continued compliance with FDA and CSA standards.

Warning

The Aruba is designed for use by only one person at a time. Therefore only one pair of protective eyewear is provided.

Protecting the eyes

Ultraviolet radiation in the uv-b and uv-a regions may cause eye damage. **puretan** therefore provides protective eyewear with each piece of tanning equipment and recommends their use during each tanning session. Use protective eyewear type Interexco Gironde 12, 3831 AB LEUDSEN, Cat. No. 5653/1S color green, or other quality eyewear assessed by the Department of Health and Human Services (F.D.A.) whenever the product is energized.

Exposure time and schedules

Control of exposure times is provided by means of a timer incorporated in the equipment. The maximum recommended exposure time of a tanning session is 10 or 20 minutes, depending on which **puretan** system you have chosen. During this time the use of the protective eyewear provided with your Aruba is recommended. Following the recommended exposure times at the end of this section should produce results within one to four sessions.

Caution

The length of exposure in new equipment or in equipment recently refitted with new lamps should be reduced by 20% to limit the possibility of erythema. This reduction should remain in effect for a minimum of 50 hours from the time of installation.

Minimum use distances

The recommended exposure position for the Aruba is lying on the contoured acrylic surface of the sunbed, and under the acrylic surface of the sunroof in the closed position. The minimum use distance is limited by the acrylic surface of the sunbed and may be no less than 1.5" from the acrylic on the sunroof as set forth by the Department of Health and Human Services (F.D.A.)

Exposure times for lamp types: **Puretan S+**, **Spectralarium R+** or **Wolff Bellarium S***

WEEK	1	1	1	2	2	2	3	3	3	4	4	4
SESSIONS	1	2	3	1	2	3	1	2	3	1	3	3
MIN. PER DAY	3	3	5	5	7	7	10	10	12	15	18	20

A spacing of 24 hours between sessions is recommended. It may take between 1 to 4 exposures before the expected results appear.

*Trademark of Wolff Systems Technology

Maintenance

It is recommended that every three (3) months due to heat expansion and contraction, wire connections are tested in the sun system units. **Disconnect power cord from wall receptacle** and remove the ABS plastic cover. Gently pull on wires at connections on ballasts, capacitors, terminal strips, relay and timer with a "needle nose" pliers. Test and tighten any loose connection screws with a small screwdriver.

Removing Acrylic Shield

Disconnect power cord from wall receptacle. To remove the acrylic shield for cleaning or lamp and starter replacement, follow these easy steps. Grasp the inside edge of the plastic acrylic hold down strips and carefully "peel" them off of the profile extrusion. Use a thin bladed screwdriver or knife blade to start one edge of the shield out of the groove, and carefully remove the shield for access to your lamps and starters.

Lamp Replacement

Disconnect power cord from wall receptacle. Remove the acrylic shield as described above. Next, remove the reflective end covers by carefully pulling the ends out of the grooves in which they are installed. The end covers are made from a very thin material by design, so that they are pliable for easy removal. Be careful not to bend the metal to the point that it "creases". The lamps and starters are now exposed for replacement or cleaning. Before the removal of a lamp, please make the following observation of the lamp holders. The lamp holders on the left side of the sunbed (as you stand in front of the sun system), have spring loaded telescopic sockets, and the lamp holders on the right are stationary. Please note that on the sunroof, just the opposite is true. To remove a lamp, carefully hold the lamp with both hands, and press toward the spring loaded lamp holder. When the spring loaded socket recedes and the tip on the opposite end of the lamp clears the stationary lamp holder, pull up and remove.

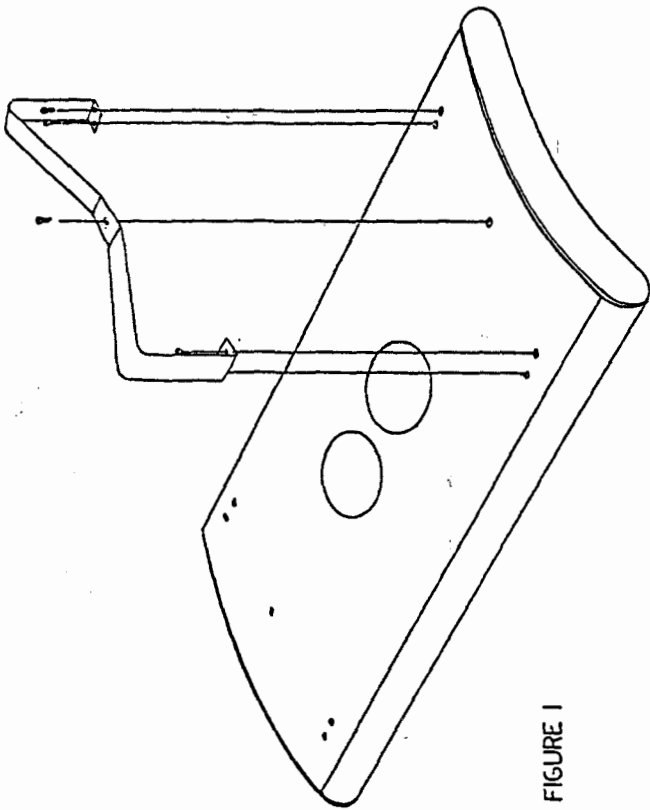


FIGURE 1

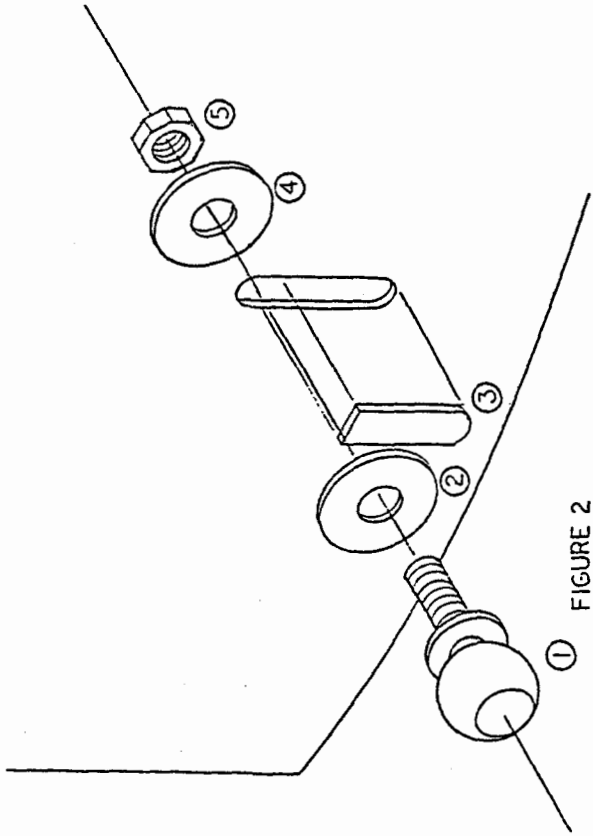


FIGURE 2

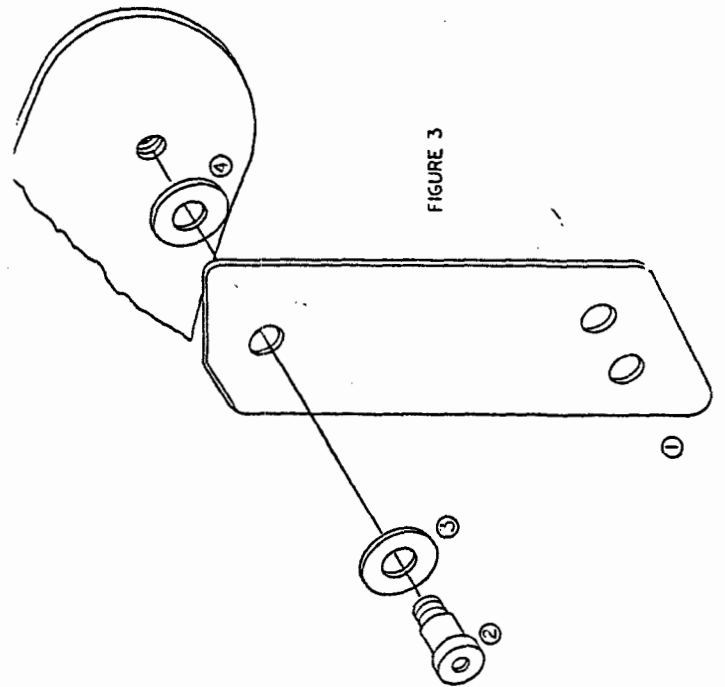


FIGURE 3

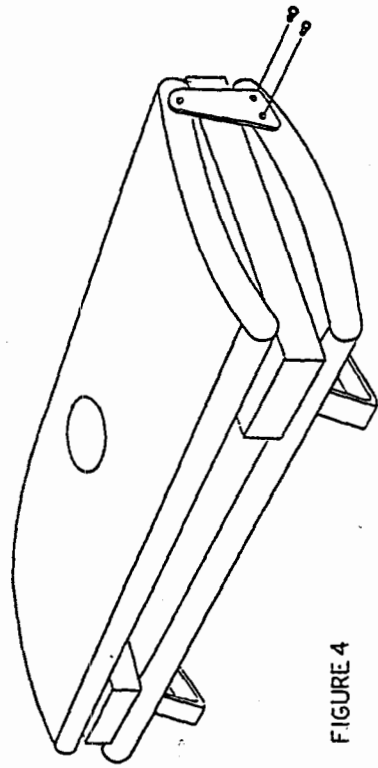


FIGURE 4

Lay the two foam end packaging blocks (which held the sunbed in its carton) flat across the ends of the bed as in figure 4.

Carefully turn the sunroof over, and lay it on top of the foam blocks, acrylic side down (see figure 4). Line up the holes in the bottom of the pivot arm with the holes in the rear of the sunbed end plates and insert the four 3/8" x 3/4" allen cap bolts and lock washers provided. Your Aruba is a precision piece of equipment and the tolerances are very close, but the foam packaging is not. It may be necessary to push the sunroof down slightly into the foam for proper alignment of the holes.

Locate the gaspistons, and remove the metal retainers by twisting them out away from the socket, and then straight toward the center of the gaspiston for removal. Attach the gaspistons (cylinder end up) to the unit by tapping the sockets onto the balls with you hand or rubber hammer. Replace the retainers.

Remove the foam blocks, and the sunroof should easily open and close.

Connect the umbilical cord by inserting the female cord end plug from the sunroof into the male cord end receptacle on the sunbed.

The power cord from the sunroof unit is to be connected to a dedicated **single phase 20 amp wall receptacle. The acceptable voltage range is 218-236. Voltage output above or below this range will cause ineffective operation, and or damage to the sun system.** Your Aruba sun system is now ready to test by turning the timer knob on the right side of the top cover clockwise.

CAUTION! It is important that when relocating the sun system, lifting or moving of the sunbed is necessary. Do not, under any circumstances, attempt to lift the system by the sunroof.

*See instructions on page 8 for remote control installation.

Assembly - Aruba Gaspiston Model

Each **puretan** Aruba sun system is tested at the factory before packaging to ensure trouble free operation.

Carefully remove the sunbed unit from the carton marked "sunbed" and lay it on carpet or similar surface (to prevent scratching) with acrylic side down (see figure 1).

Locate the ten (10) 1/4" allen head screws in the carton marked "arm kit" and attach the legs as shown in figure 1. When the legs are securely fastened, turn the unit over so that the acrylic side is up and the unit is standing on its legs.

Remove the acrylic shield and reflective end covers as described on page 8 of this manual. Find the four ball studs (figure 2, item 1) in the "arm kit" carton. Position the shock mount insert (3) in the 38th end plate exhaust slot (of the top row) from the front of the sunbed. Position an 8mm fender washer (2) on the ball stud thread and pass it through the clearance hole created by the insert. Position another 8mm fender washer on the thread inside the sunbed, (4) and secure tightly with an 8mm lock nut (5). Repeat the exercise on the other end of the sunbed unit.

Carefully remove the sunroof from the carton marked "sunroof", and lay it on a carpet or similar surface to prevent scratching, acrylic side up. Remove the acrylic shield and reflective end covers. As described above, install the ball stud in 25th end plate exhaust slot (of the top row) from the front of the sunroof unit. Tighten securely, and repeat the exercise on the other end of the unit.

Locate the pivot arm (see figure 3, item 1) in the carton marked "arm kit". Position a 1/2" black flat washer (3) on one of the 1/2" shoulder bolts (2) and pass it through the clearance hole on the top portion of the pivot arm. Position a 3/8" black flat washer (4) so that it is between the 1/2" shoulder of the bolt and the end plate. and insert the bolt into the 3/8" threaded hole in the rear of the sunroof end plate. Tighten securely with the 1/4" allen wrench provided.

FIGURE 9B

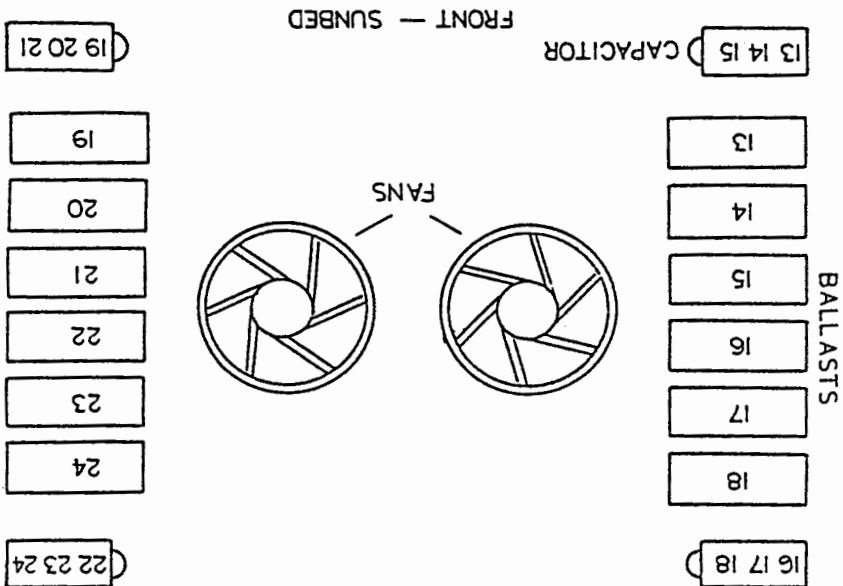
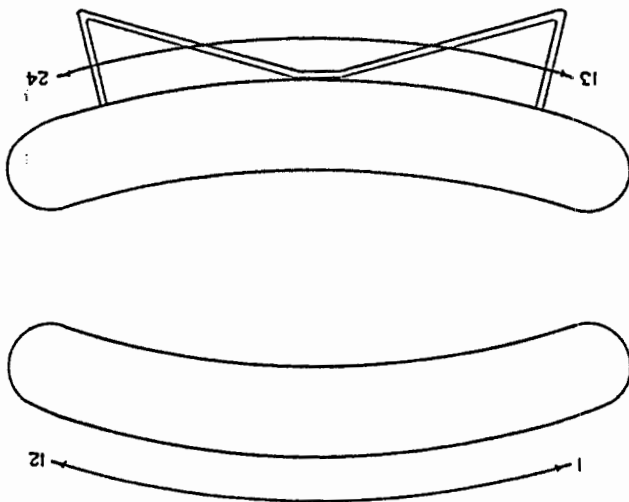
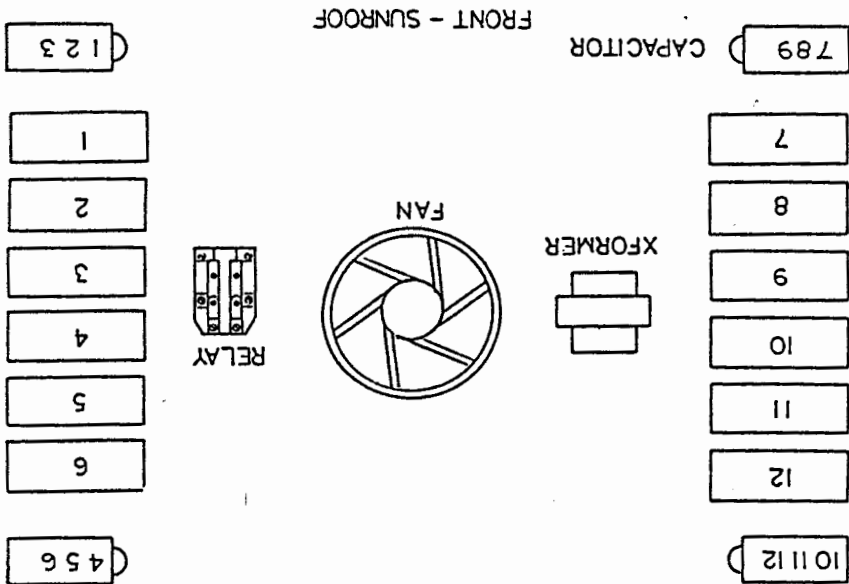


FIGURE 9A



TIMER



non-lighting lamps. Note that the capacitors shown on figure 9, "B" have three numbers (i.e. 1,2,3 - 4,5,6 - etc.). If no loose wires are detected, install a "jumper wire" between the two connections on the capacitor cap and retest. If the lamp lights, replace the capacitor. Make certain to insert the wires in exactly the same terminals. If the lamp still does not light, **remove the "jumper wire"** and go on to #6.

6. Replace the corresponding ballast of non-lighting lamps. Start by inserting a straightened paper clip or very small screwdriver into the slot directly above the wire, push in and simultaneously pull wire out of connector. Remove the two hold down screws at either end of ballast and replace. To reconnect wires in new ballast, gently push into appropriate position in ballast connector. Test the system. If lamp(s) still will not light, consult **puretan, Intl. Inc.** technical support.

Sun system will not terminate operation

1. Remove remote blue wire nut from the remote control "pigtail" on rear of sunroof and separate the black and red wires. If system discontinues operation, go to 2. If system continues to operate, **disconnect power cord from wall receptacle.** Remove sunroof ABS cover as described on page 9. Locate relay (figure 9, "B") and replace by first removing the two retainer screws. Change connectors at each terminal separately and install directly to replacement relay's corresponding terminals. It is important to reconnect the connectors to exactly the same terminals. If sun system still operates improperly, consult **puretan, Intl. Inc.** technical support.

2. **Disconnect power cord from wall receptacle.** Remove sunroof ABS cover as described on page 9. Locate timer and replace by removing the two retaining screws. Pull connectors from each terminal separately and install directly to replacement timer's corresponding terminals. It is important to reconnect the connectors to exactly the same terminals. Re-install timer and test. If sun system still operates improperly, consult **puretan, Intl. Inc.** technical support.

Trouble shooting

Sunsystem will not operate:

1. Is power cord connected to wall receptacle?
2. Is remote control installed properly? If you are not using remote control monitors, are the black and red wires connected together with the blue wire nut on the remote control pigtail?
3. Is the timer in operational position?
4. Is circuit breaker "on"? Is there proper voltage to the wall receptacle?
5. Are the umbilical cord plug ends connected properly as discussed in the "assembly section"?
6. If "yes" to all of the above, call **puretan, Intl. Inc.** technical support.

Any lamps not working: **Disconnect power cord from wall receptacle**, and remove the acrylic shield as previously discussed.

1. Remove unit lamp(s) and replace with a lamp which is lighting. Test by activating the system. If lamp lights, discard the defective lamp and replace with a new one. If not, go on to #2.

2. Remove starter for unit lamp. Replace with new starter, or a starter next to a lamp which is lighting. Test by activating system. If lamp lights, discard defective starter and replace with a new one. If lamp still will not light, go on to #3.

3. Remove ABS cover from the sunroof by inserting a small screwdriver in the slot at the top center of the end plate and under the cover. Pry up and pull the cover up and out of its retaining slots along the long edges. If the unit lamp(s) are in the sunbed, remove the legs and bottom cover as described above.

4. Check connections to lampholders and starter holders for loose wires by pulling on each connection where inserted. Also check for burned ends or physical damage. If no loose wires or damage is detected, go on to #5.

5. Check corresponding ballast connections of non-lighting lamps by gently pulling on the wires where they insert into the plastic connectors (see corresponding number sequence, figure 9, "A" & "B"). If any wires are loose, push into connector and test. If no loose wires are detected, check the capacitor connection for the corresponding

Starter Replacement

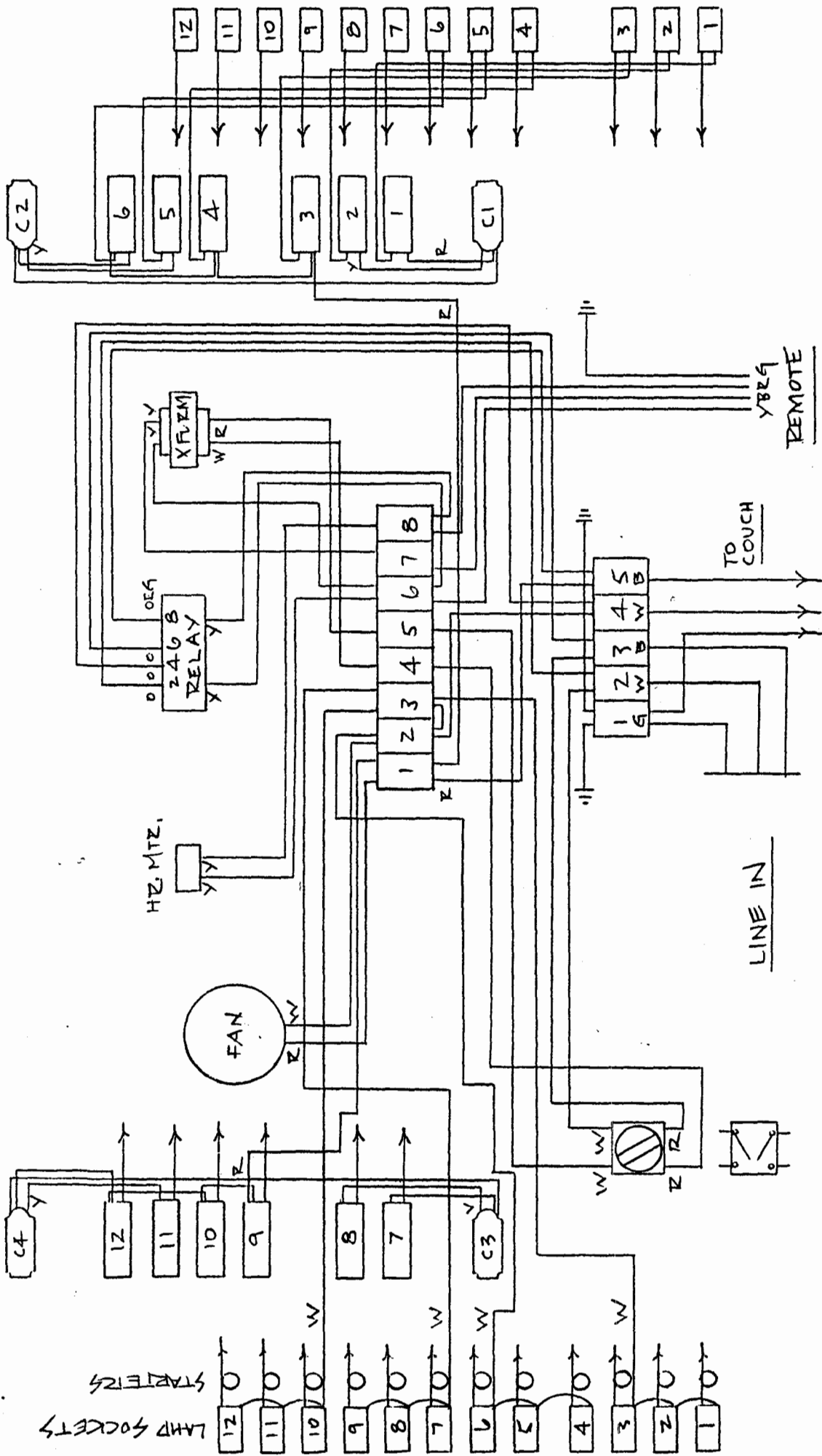
The starters are located behind the row of stationary lampholders; to the far right side on the sunbed and to the far left on the sunroof. To remove a starter from its holder, carefully twist counter-clockwise until the "click" is felt and remove. To reinstall, insert the connectors into the largest opening on the holder, and twist clockwise until locked in place.

Installing Remote Control

To install your **puretan** remote control timer to the Aruba, proceed with the following steps.

Remove the wire nut which connects the black and red wires of the remote control "pigtail" together and separate the wires. Splice eighteen (18) to twenty four (24) gauge, four conductor cable between the sun system and the remote control monitor. Be certain that the green wire on the remote control pigtail is connected to the ground wire of **any** remote control monitor being used.

WARNING - Incorrect connections will cause permanent damage to the internal components of the electrical system. This will not be the responsibility of **puretan**, or its vendors. The most common application is thermostat wire as less than one half (1/2) amp is applied. Attach the wires to the applicable terminals depending upon the remote monitor you are using. Be certain that your connections are tight, and that the correct wire colors are matched.



WIRING SCHEMATIC - PURETAN/ASTERISK 24 LAMP 220 VOLT SYSTEMS

REVISED 2/96

CAUTION

SUNLAMP - DANGER - ULTRAVIOLET RADIATION
USE ONLY IN FIXTURE EQUIPPED WITH A TIMER

FOLLOW INSTRUCTIONS

USER INSTRUCTIONS:

SUNLAMP-DANGER-Ultraviolet radiation. Follow instructions. Avoid overexposure. As with natural sunlight, overexposure can cause eye and skin injury and allergic reactions. Repeated exposure may cause premature aging of the skin and skin cancer. **WEAR PROTECTIVE EYEWEAR; FAILURE TO MAY RESULT IN SEVERE BURNS OR LONG-TERM INJURY TO THE EYES.** Medications or cosmetics may increase your sensitivity to the ultraviolet radiation. Consult a physician before using sunlamps if you are using medications, have a history of skin problems or believe yourself to be especially sensitive to sunlight. If you do not tan in the sun, you are unlikely to tan from the use of this product.

Instructions accompanying the sunlamp product should **always** be followed to avoid or to minimize potential injury.

CONTENTS CERTIFIED TO CONFORM TO APPLICABLE PROVISIONS OF
21CFR 1040.20 FOR SUNLAMP PRODUCTS.

WARNING: The instructions accompanying the sunlamp product should always be followed to avoid or to minimize potential injury. Use ONLY in fixture equipped with a timer.

The user assumes all risk for any and all uses inconsistent with the above. While the enclosed lamps may function in equipment which does not specify the particular model or lamp enclosed, ETS, Inc. does not recommend such use and the risks associated with such use must be assumed by the user.

ALWAYS RETAIN THESE USER INSTRUCTIONS FOR FUTURE REFERENCE
AND LAMP COMPATIBILITY INFORMATION.

